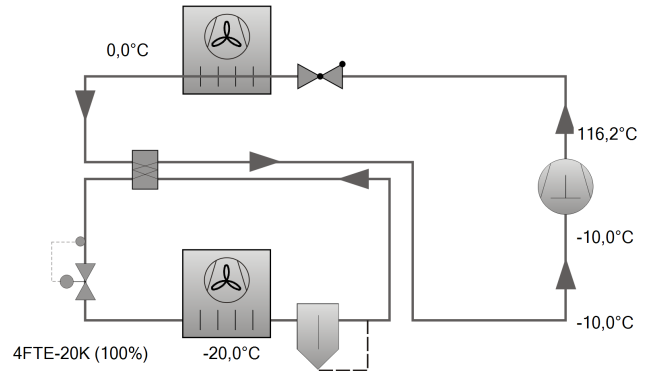




Selection: Semi-hermetic Reciprocating Compressors

Input Values

Compressor model	4FTE-20K
Mode	Refrigeration and air conditioning
Refrigerant	R744
Reference temperature	Dew point temp.
Evaporating SST	-20,00 °C
High pressure	Auto
Gas cooler outlet	0 °C
Suct. gas superheat	10,00 K
Operating mode	Transcritical
Power supply	400V-3-50Hz
Capacity control	100%
Useful superheat	100%

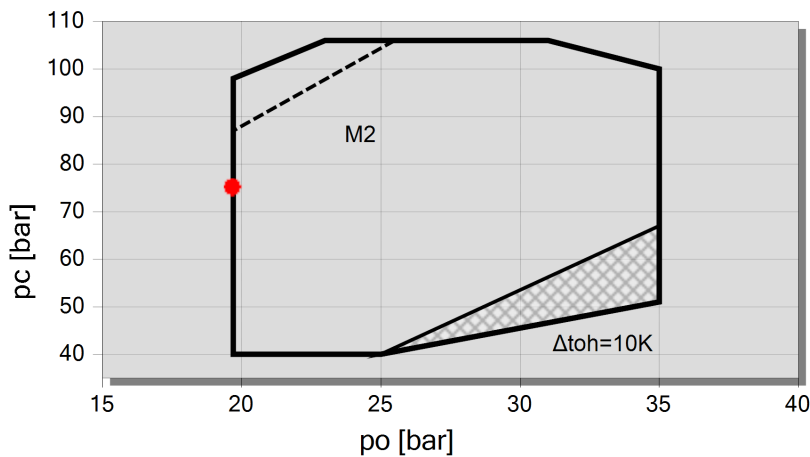


Result

Compressor	4FTE-20K-40P
Capacity steps	100%
Cooling capacity	44,3 kW
Cooling capacity *	44,3 kW
Evaporator capacity	44,3 kW
Power input	16,65 kW
Current (400V)	28,1 A
Voltage range	380-420V
Gas cooler capacity	60,9 kW
COP/EER	2,66
Mass flow	632 kg/h
Discharge gas temp. w/o cooling	116,2 °C
optimal high pressure	75,0 bar(a)

Tentative Data.
 *according to EN12900 (10K suction gas superheat)

Application Limits 100% 4FTE-20K



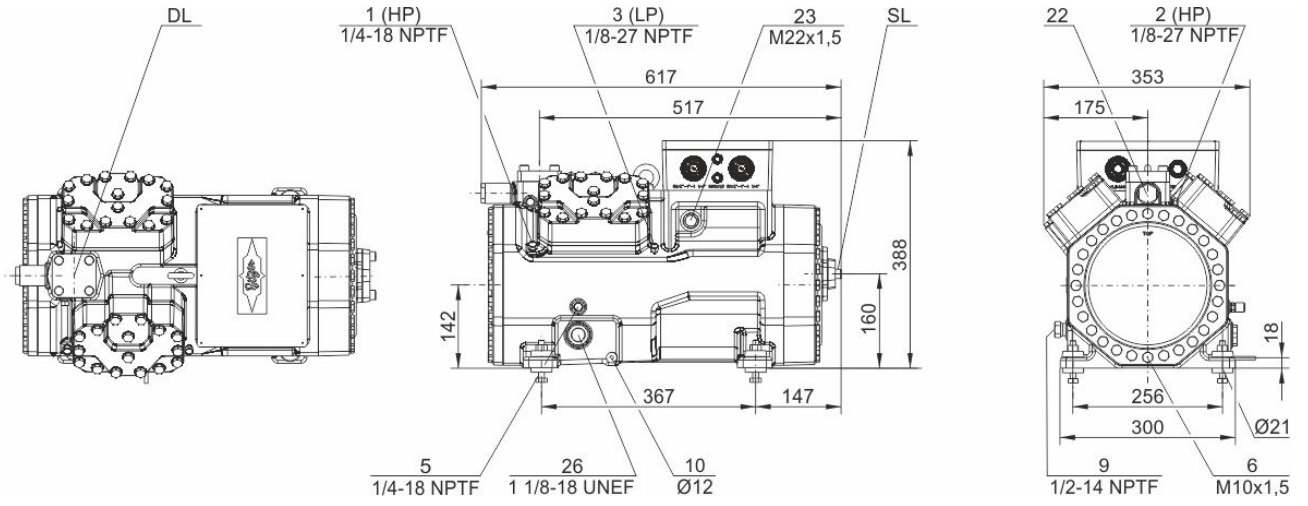
Legend

- M2: motor 2
- Operation above designated line not allowed for following compressor models: 4PTE, 4PTC
- ▨ mind operating parameters
- A



Technical Data: 4FTE-20K

Dimensions and Connections





Technical Data

Technical Data

Displacement (1450rpm 50Hz)	17,5 m ³ /h
Displacement (1750rpm 60Hz)	21,1 m ³ /h
No. of cylinder x bore x stroke	4 x 41mm x 38mm
Weight	187 kg
Max. pressure (LP/HP)	100/160 bar
Connection suction line	28 mm - 1 1/8"
Connection discharge line	18 mm - 3/4"
Oil type R744 (CO ₂)	BSE85K (Standard), BSG68K (Option)

Motor data

Motor version	2
Motor voltage (more on request)	380-420V PW-3-50Hz
Max. operating current	42.0 A
Winding ratio	50/50
Starting current (Rotor locked)	97.0 A Y / 158.0 A YY
Max. power input	24,3 kW

Extent of delivery (standard)

Motor protection	SE-B3 (Option), SE-B2 (Option), CM-RC-02 (Standard)
Enclosure class	IP65
Vibration dampers	Standard
Oil charge	2,60 dm ³
Oil heater	0..140 W PTC (Standard)

Available options

Connection suction line	Option
Discharge shut-off valve	Option
Oil level monitoring	OLC-K1 (Option)

Sound measurement

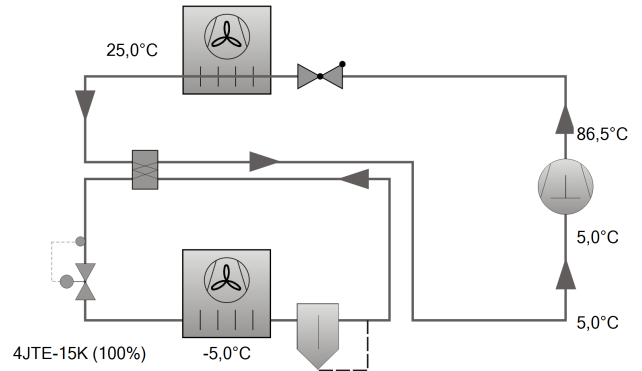
Sound power level (-10°C / 90bar)	81 dB(A) @ 50Hz
Sound pressure level @ 1m (-10°C / 90bar)	73 dB(A) @ 50Hz



Selection: Semi-hermetic Reciprocating Compressors

Input Values

Compressor model	4JTE-15K
Mode	Refrigeration and air conditioning
Refrigerant	R744
Reference temperature	Dew point temp.
Evaporating SST	-5,00 °C
High pressure	Auto
Gas cooler outlet	25,0 °C
Suct. gas superheat	10,00 K
Operating mode	Transcritical
Power supply	400V-3-50Hz
Capacity control	100%
Useful superheat	100%



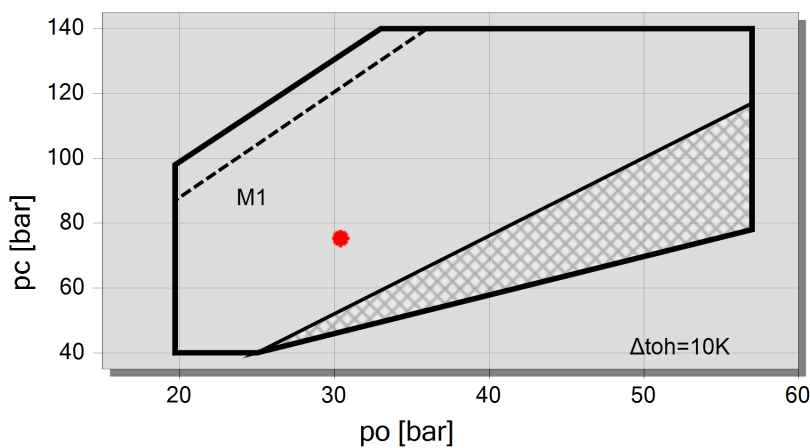
Result

Compressor	4JTE-15K-40P
Capacity steps	100%
Cooling capacity	30,4 kW
Cooling capacity *	30,4 kW
Evaporator capacity	30,4 kW
Power input	9,53 kW
Current (400V)	17,68 A
Voltage range	380-420V
Gas cooler capacity	40,0 kW
COP/EER	3,19
Mass flow	599 kg/h
Discharge gas temp. w/o cooling	86,5 °C
optimal high pressure	75,0 bar(a)

Tentative Data.

*according to EN12900 (10K suction gas superheat)

Application Limits 100% 4JTE-15K



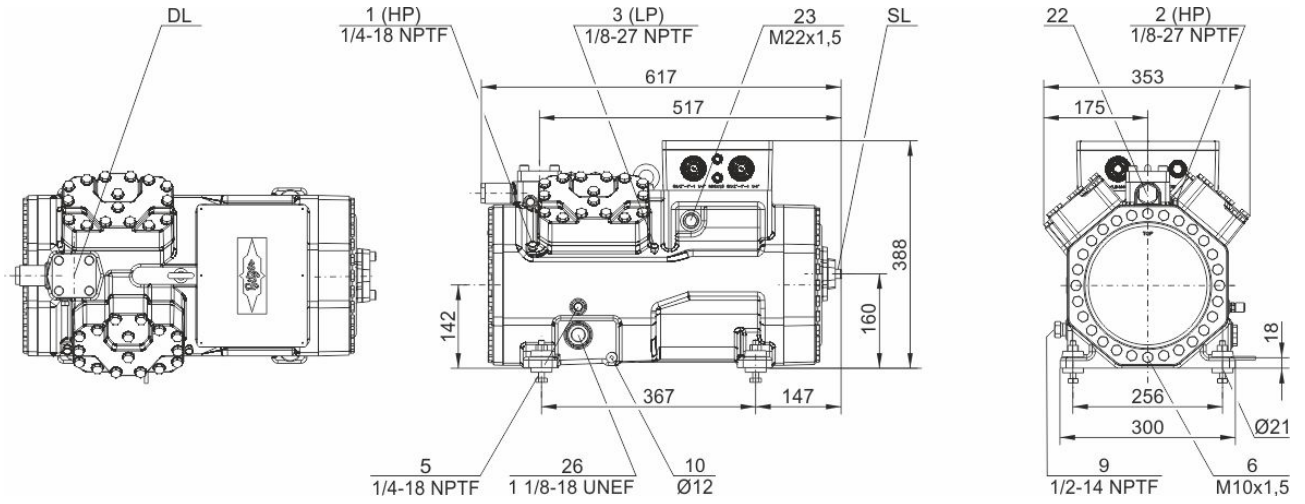
Legend

- mind operating parameters
- M1: motor 1
- Operation above designated line not allowed for following compressor models: 4PTE, 4PTC
- A



Technical Data: 4JTE-15K

Dimensions and Connections





Technical Data

Technical Data

Displacement (1450rpm 50Hz)	9,3 m ³ /h
Displacement (1750rpm 60Hz)	11,2 m ³ /h
No. of cylinder x bore x stroke	4 x 30mm x 38mm
Weight	182 kg
Max. pressure (LP/HP)	100/160 bar
Connection suction line	28 mm - 1 1/8"
Connection discharge line	18 mm - 3/4"
Oil type R744 (CO ₂)	BSE85K (Standard), BSG68K (Option)

Motor data

Motor version	1
Motor voltage (more on request)	380-420V PW-3-50Hz
Max. operating current	32.0 A
Winding ratio	50/50
Starting current (Rotor locked)	81.0 A Y / 132.0 A YY
Max. power input	17,7 kW

Extent of delivery (standard)

Motor protection	SE-B3 (Option), SE-B2 (Option), CM-RC-02 (Standard)
Enclosure class	IP65
Vibration dampers	Standard
Oil charge	2,60 dm ³
Oil heater	0..140 W PTC (Standard)

Available options

Connection suction line	Option
Discharge shut-off valve	Option
Oil level monitoring	OLC-K1 (Option)

Sound measurement

Sound power level (-10°C / 90bar)	79 dB(A) @ 50Hz
Sound pressure level @ 1m (-10°C / 90bar)	71 dB(A) @ 50Hz



Semi-hermetic Reciprocating Compressors

Motor 1 = e.g. 4TES-12 with 12"HP", primary for air-conditioning (e.g. R22,R407C) and air-conditioning with R134a at high ambient temperatures.

Motor 2 = e.g. 4TES-9 with 8"HP", universal Motor for medium and low temperature application (e.g. R404A, R507A, R407A, R407F) and air-conditioning with R134a

Motor 3 = e.g. 4TES-8, for medium temperature applications and R134a

For more information concerning the application range use the "Limits" button.

Operation modes 4VES-7 to 6FE-44 and 44JE-30 to 66FE-88 with R407F/R407A/R22

CIC = liquid injection with low temperature application, suction gas cooled motor.

ASERCOM certified performance data

The Association of European Refrigeration Component Manufacturers has implemented a procedure of certifying performance data. The high standard of these certifications is assured by:

- * plausibility tests of the data performed by experts.
- * regular measurements at independent institutes.

These high efforts result in the fact that only a limited number of compressors can be submitted. Due to this not all BITZER compressors are certified until now. Performance data of compressors which fulfil the strict requirements may carry the label "ASERCOM certified". In this software you will find the label at the respective compressors on the right side below the field "result" or in the print out of the performance data. All certified compressors and further information are listed on the homepage of ASERCOM.

Condensing capacity

The condensing capacity can be calculated with or without heat rejection. This option can be set in the menu Program Options. The heat rejection is constantly 5% of the power consumption. The condensing capacity is to be found in the line Condensing cap. (with HR) resp. Condensing capacity.

Data for sound emission

Data based on 50HZ application (IP-units 60Hz) and R404A if not declared.

Sound pressure level: values based on free field area conditions with hemispherical sound emission in 1 meter distance.

General remarks regarding sound data

Listed sound data were measured under testing conditions in our laboratory. For this purpose the free-standing test sample is mounted on a solid foundation plate and the pipework is connected vibration-free to the largest extent possible. Suction and discharge lines are fixed in a flexible configuration, such that a transmission of vibrations to the environment can be largely excluded. In real installations considerable differences might be observed, compared to the measurements in the laboratory. The airborne sound emitted by the compressor can be reflected from surfaces of the system and this may increase the airborne sound level measured close to the compressor. Vibrations caused by the compressor are also transferred to the system by the compressor feet and piping depending on the damping ratio of the fixings. Thus, the vibrations can induce other components to such an extent that these components contribute to an increase in airborne sound emission. If required, the transfer of vibrations to the system can be minimized by suitable fixing and damping elements.